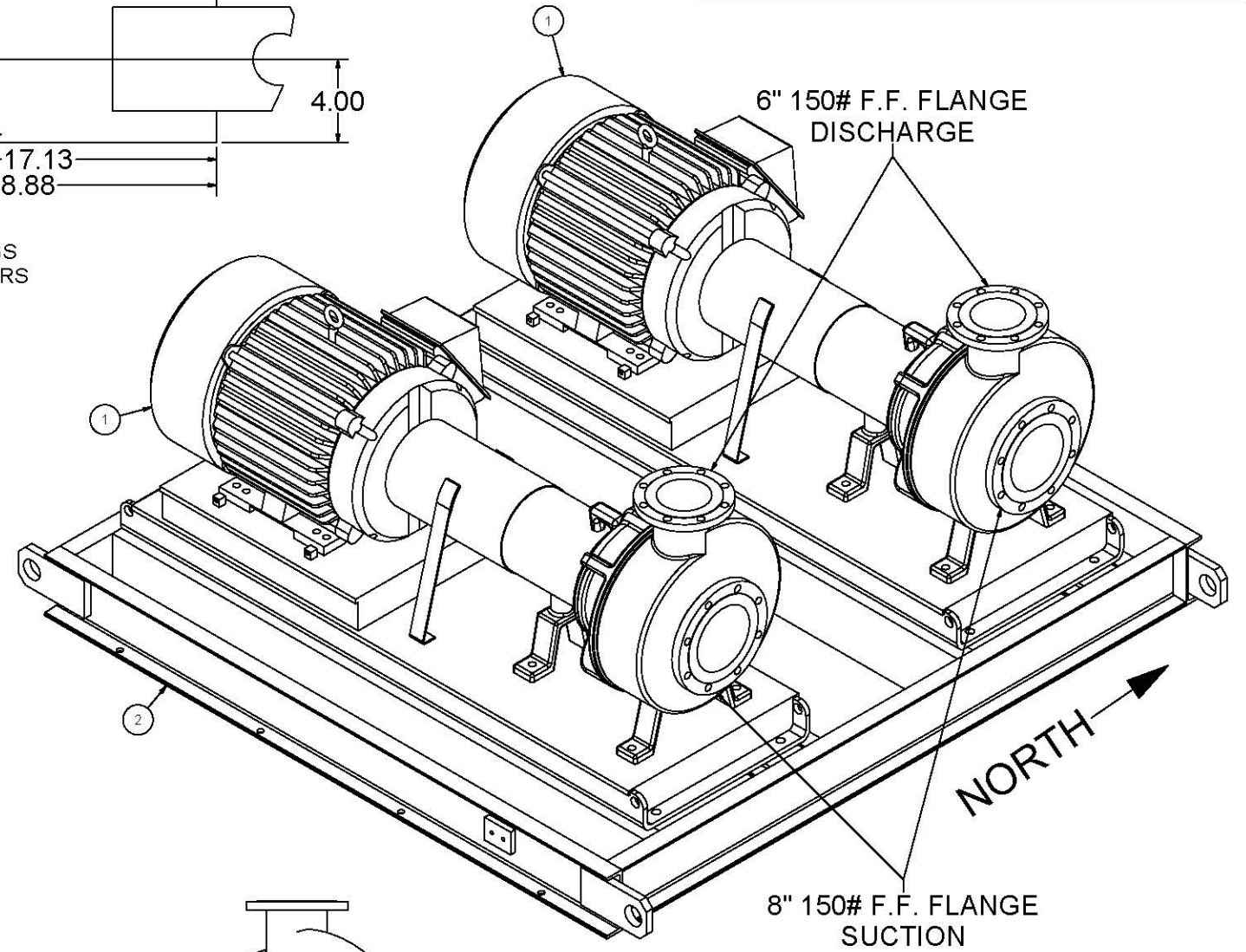
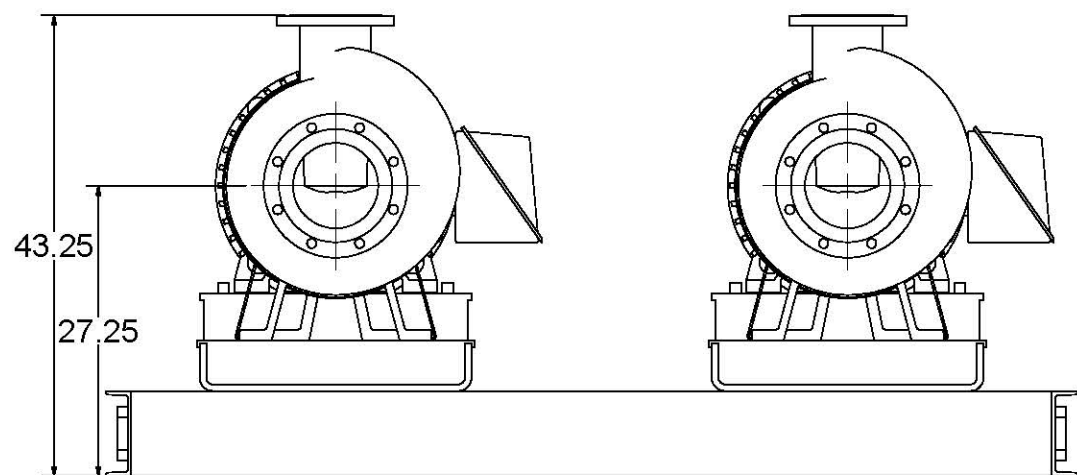


NORTH ↑



NORTH ↑



ITEM		QTY	PART NUMBER	DESCRIPTION
1	2		COOLING TOWER MAKEUP PUMPSET	FLOWSERVE 3K 8X6-16A PUMP, 60 HP, 1,200 RPM, 404T FRAME MOTOR
2	1		COOLING TOWER MAKEUP BASE	

BUILD SPECS	
MATERIAL	A36 STRUCTURAL STEEL
WELD SPEC	AWSD1.1
SURFACE	MEDIA ALUMINUM OXIDE
BLAST	FINISH SSPC 6
PRIMER	DUPONT CORLAR 2.15T EPOXY (3-8 MILS)
MD-COAT	NONE
TOP-COAT	DUPONT IMRON 3.5HG-D POLYURETHANE (ANSI 70 GRAY) (2-3 MILS)

SKID TAG NO: RWS-SKD-1003  
 PUMP TAG NO: RWS-PP-1003A; RWS-PP-1003B  
 DESCRIPTION: COOLING TOWER MAKE-UP  
 PROJECT TAG NUMBER: Gainesville Renewable Energy Center  
 (FAGEN Job Number: 104009.502)



**FUREY FILTER & PUMP, INC.**  
 N 117 W 19237 FULTON DR.,  
 GERMANTOWN, WI 53022  
 WWW.FUREYFP.COM (262)-293-0333

PROJECT DESCRIPTION	GENERAL SERVICE PUMPS	DESIGNER	E. RODRIGUEZ	PROJECT ENGINEER	J. CAMPBELL	JOB	J04366
DRAWING DESCRIPTION	GENERAL ARRANGEMENT	DATE DRAWN	1/14/2012	DATE CHECKED	3/20/2012	REVISION	1
CUSTOMER	FAGEN	DESIGN STATE	WorkInProgress	SIZE	D		
CUSTOMER P.O. NUMBER	554748	DRAWING NUMBER	J04366-CTM-GA-1	SHEET	1 OF 2		

DIMENSIONS IN INCHES UNLESS SPECIFIED  
 ALL CUSTOMER CONNECTIONS HAVE A TOLERANCE OF ±.12"